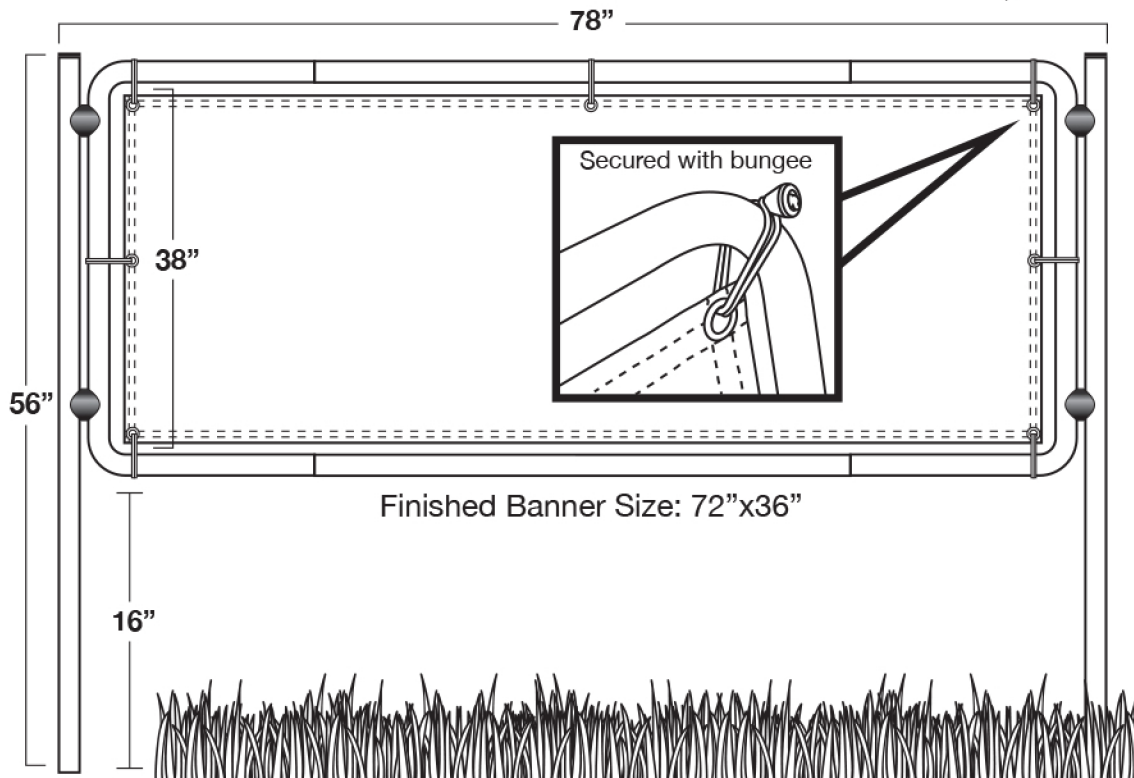
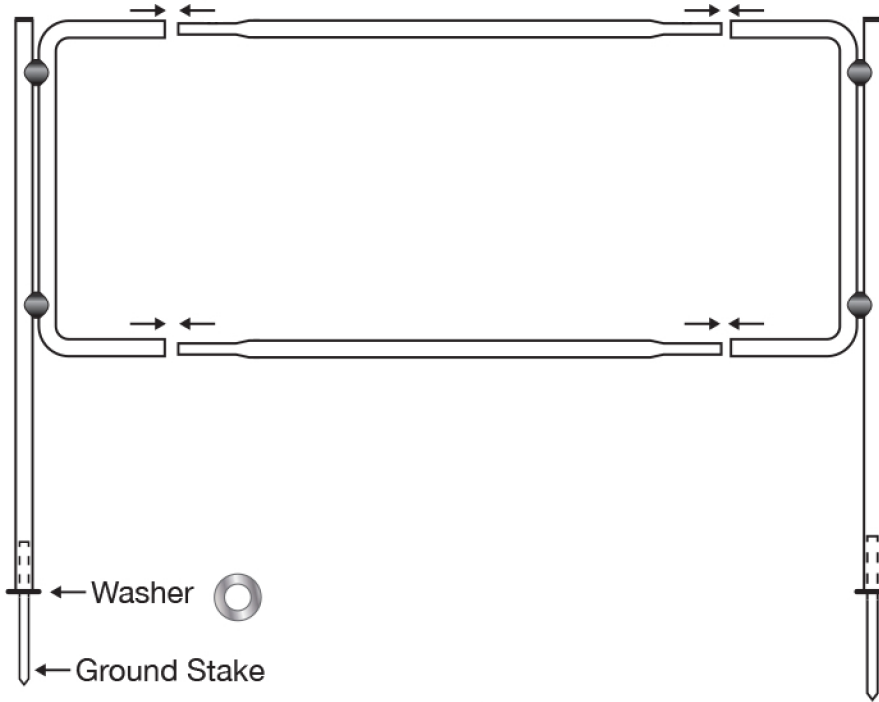
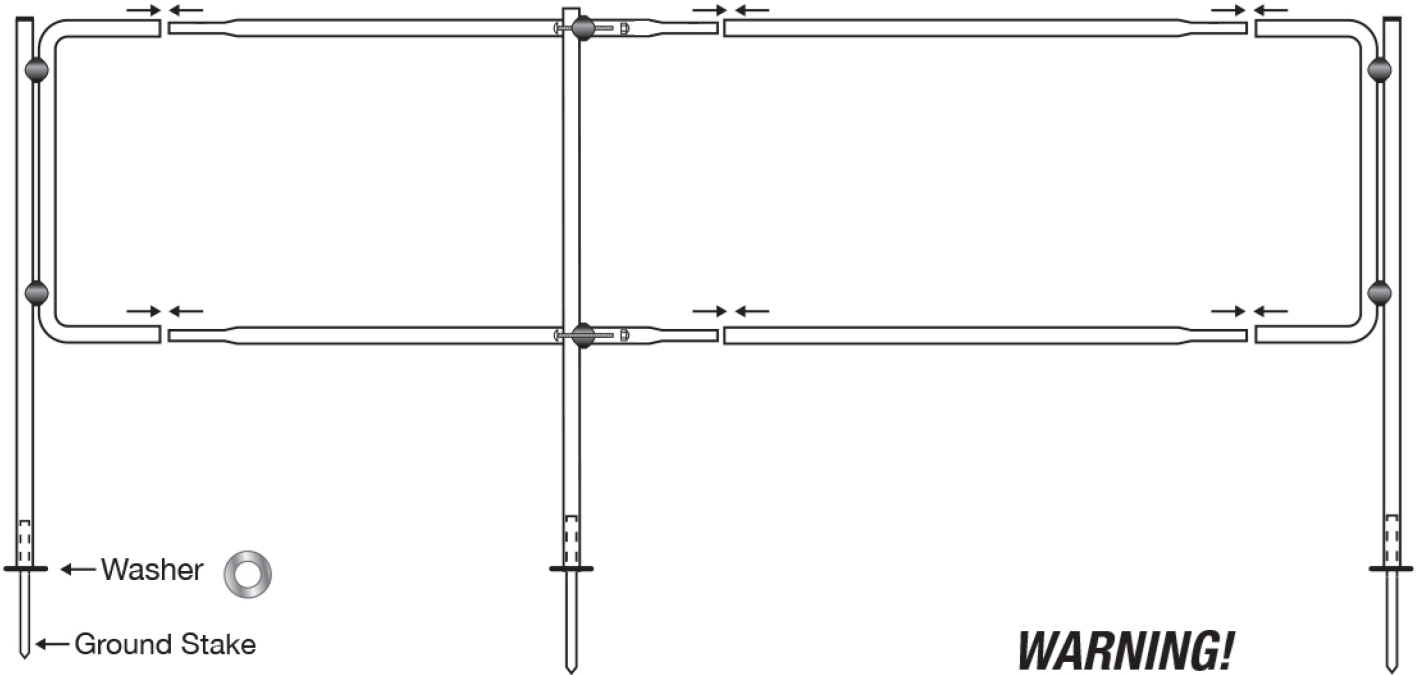
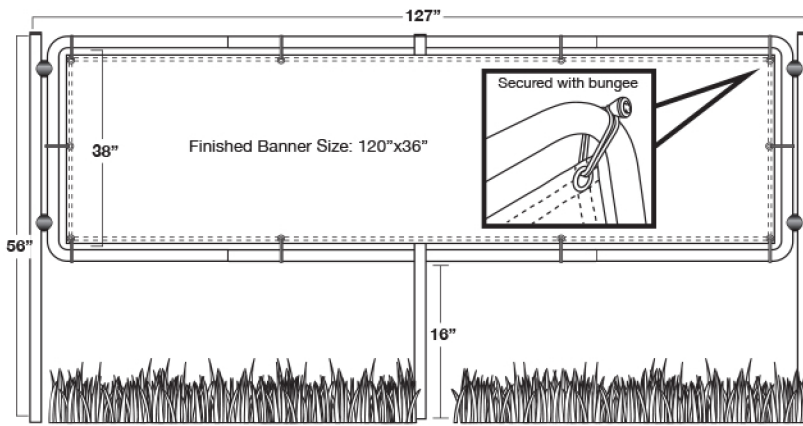


# SMART FRAME SYSTEM™



# SMART FRAME+ SYSTEM™



## Assembly Instructions:

1. Assemble the frame sections by sliding sections together.
2. Set assembled frame in desired display location.  
*Make sure it is facing in the desired direction.*
3. Carefully lay frame back on the ground.  
*Be sure the legs remain in the same location from step 2.*
4. Using the legs as your guide, hammer ground stakes into the ground to about half way. ◊ (See caution.)
5. Place included washers onto ground stakes.
6. Install assembled banner frame on the ground stakes.  
*(See diagram above.)*
7. Attach banner to frame using included bungees.  
*(See diagram below.)*

**WARNING!**  
***When installing the ground stake, exercise caution, avoiding all electric, water, and gas lines!***

## GROUND STAKE INSTALLATION TIP:

***To prevent damage to the ground stake, use a wood block between the ground stake and your hammer. Protect your hands by using gloves or handcloth when handling, installing or removing fiberglass ground stake.***