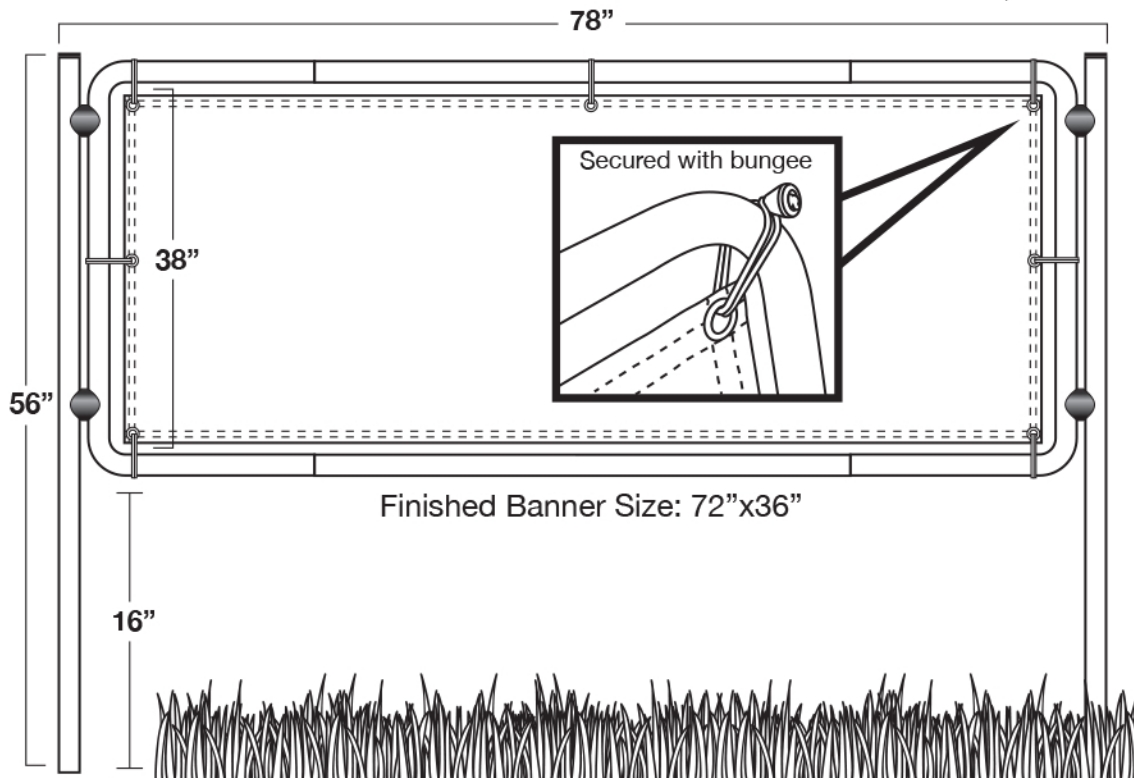
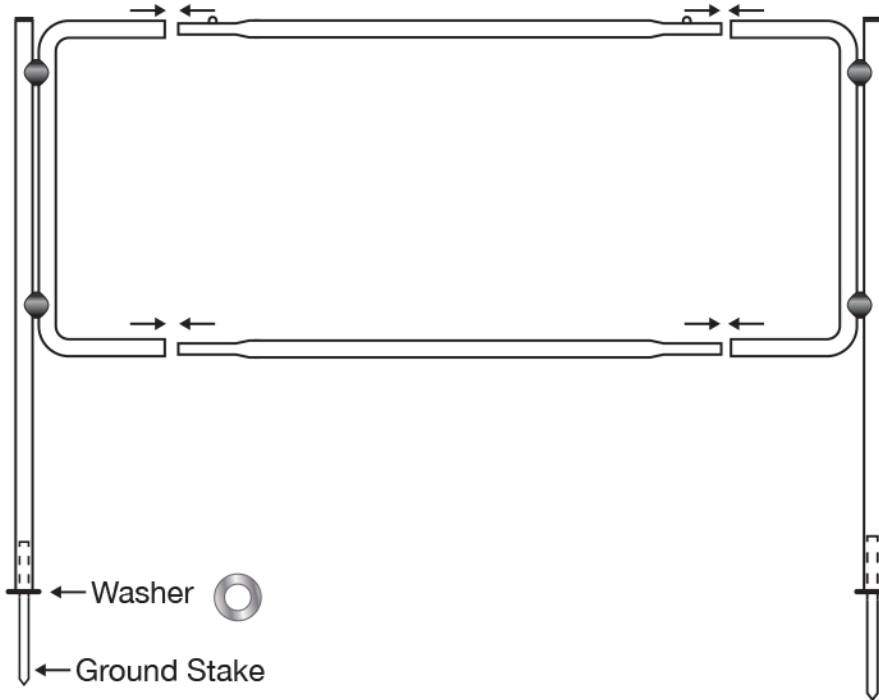
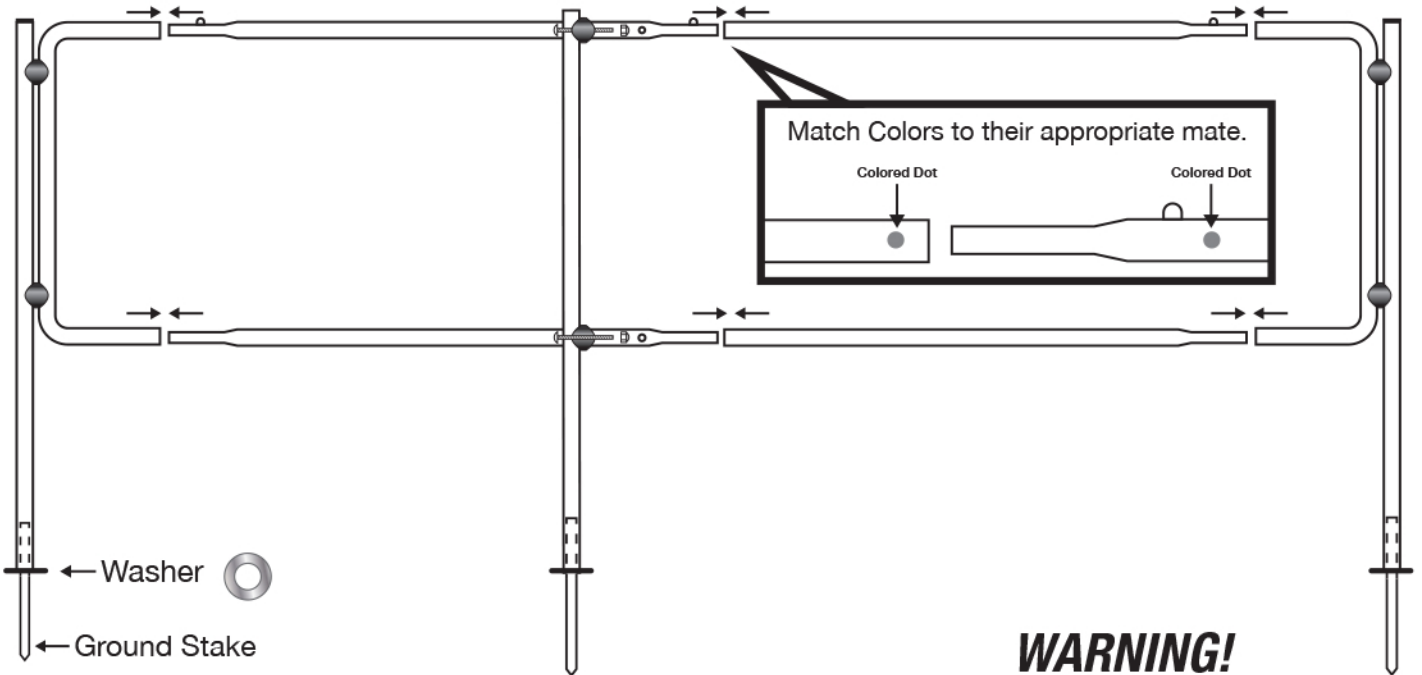
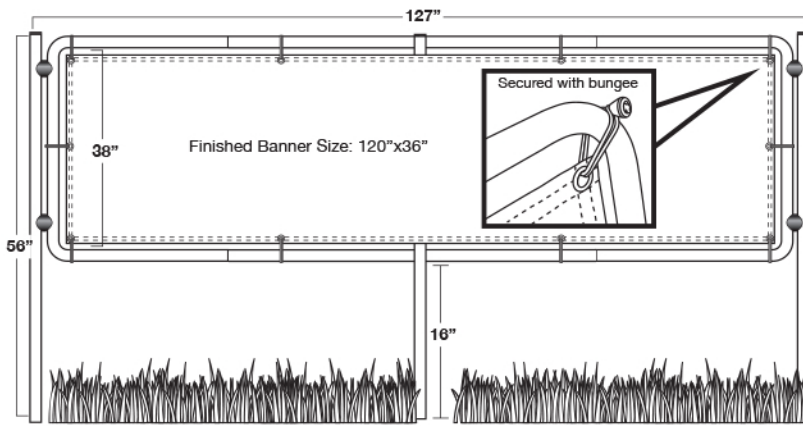


SMART FRAME SYSTEM™



SMART FRAME+ SYSTEM™



Assembly Instructions:

1. Assemble the frame sections by sliding matching color dots together until the snap locks engage.
They should be firmly seated and not pull apart.
2. Set assembled frame in desired display location.
Make sure it is facing in the desired direction.
3. Carefully lay frame back on the ground.
Be sure the legs remain in the same location from step 2.
4. Using the legs as your guide, hammer ground stakes into the ground to about half way. ⚠ (See caution.)
5. Place included washers onto ground stakes.
6. Install assembled banner frame on the ground stakes.
(See diagram above.)
7. Attach banner to frame using included bungees.
(See diagram below.)

WARNING!
When installing the ground stake, exercise caution, avoiding all electric, water, and gas lines!

**GROUND STAKE
INSTALLATION TIP:**
To prevent damage to the ground stake, use a wood block between the ground stake and your hammer. Protect your hands by using gloves or handcloth when handling, installing or removing fiberglass ground stake.