

FP140 Flag Pole Set

To Install with ground stake:

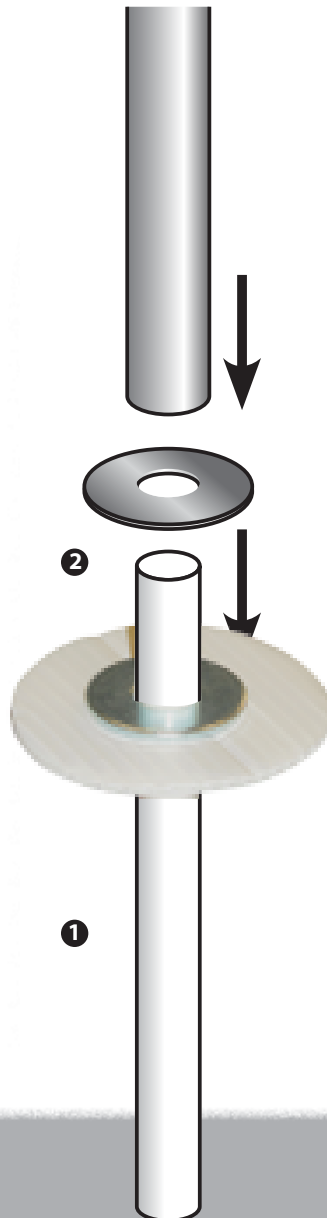
1. Start by hammering the ground stake into the ground where you want your Flag Pole to be installed. Hammer it approximately halfway into the ground. (Use gloves or a thick cloth when handling the ground stake to protect your hands. Also, use a scrap piece of wood between the stake and your hammer to protect the end of the stake from being deformed by the hammer.)

WARNING: WHEN INSTALLING THE GROUND STAKE, EXERCISE CAUTION, AVOIDING ALL ELECTRIC, WATER, AND GAS LINES!

2. Push the CoroShield over the ground stake followed by the washer and then slide the flag pole onto the ground stake.

FP140 Includes:

- 1" x 13' Three-piece Aluminum Flag Pole
- Fiberglass Ground Stake
- 5 nylon ties
- 1 Washer
- 1 Coroplast Ground Shield



FP140 Flag Pole Set

To Install with ground stake:

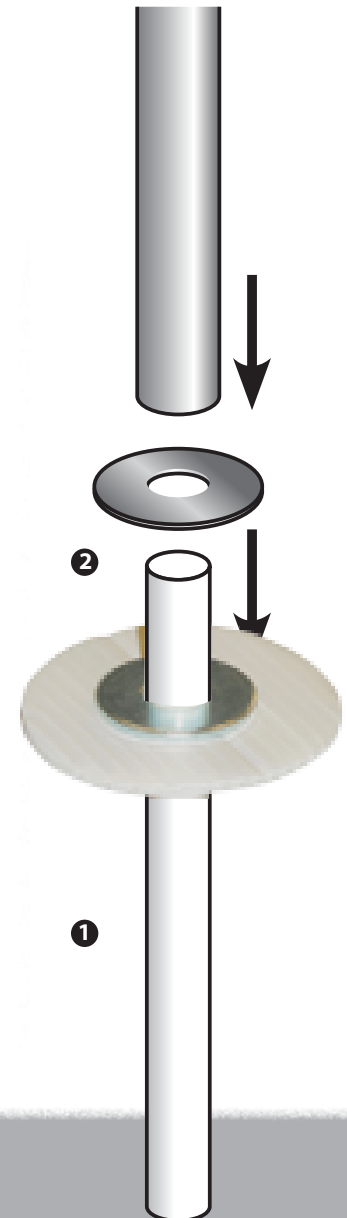
1. Start by hammering the ground stake into the ground where you want your Flag Pole to be installed. Hammer it approximately halfway into the ground. (Use gloves or a thick cloth when handling the ground stake to protect your hands. Also, use a scrap piece of wood between the stake and your hammer to protect the end of the stake from being deformed by the hammer.)

WARNING: WHEN INSTALLING THE GROUND STAKE, EXERCISE CAUTION, AVOIDING ALL ELECTRIC, WATER, AND GAS LINES!

2. Push the CoroShield over the ground stake followed by the washer and then slide the flag pole onto the ground stake.

FP140 Includes:

- 1" x 13' Three-piece Aluminum Flag Pole
- Fiberglass Ground Stake
- 5 nylon ties
- 1 Washer
- 1 Coroplast Ground Shield



FP195 Flag Pole Set

To Install with ground stake:

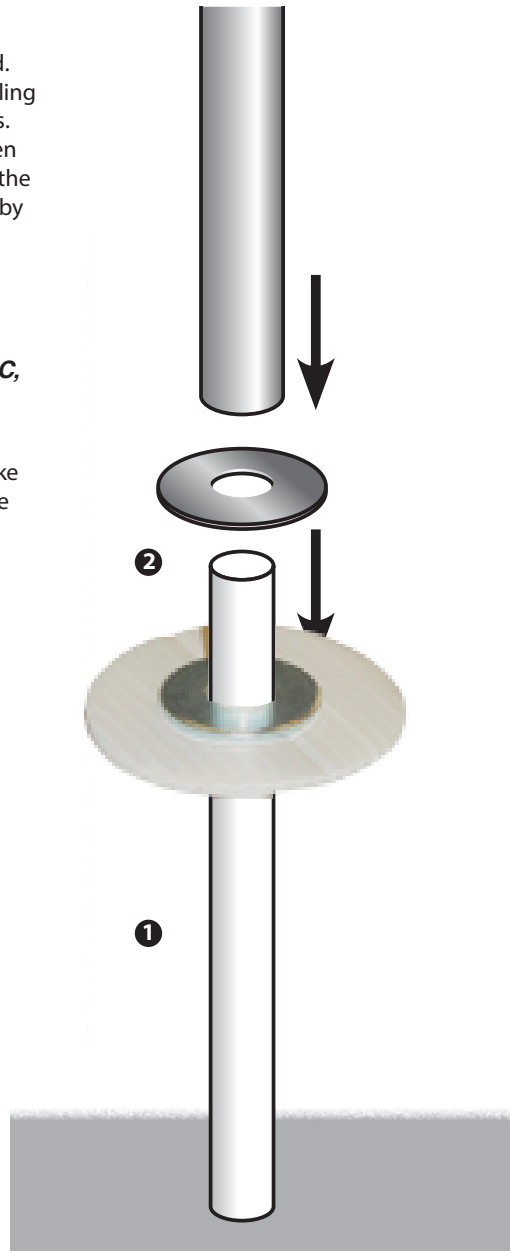
1. Start by hammering the ground stake into the ground where you want your Flag Pole to be installed. Hammer it approximately halfway into the ground. (Use gloves or a thick cloth when handling the ground stake to protect your hands. Also, use a scrap piece of wood between the stake and your hammer to protect the end of the stake from being deformed by the hammer.)

WARNING: WHEN INSTALLING THE GROUND STAKE, EXERCISE CAUTION, AVOIDING ALL ELECTRIC, WATER, AND GAS LINES!

2. Push the CoroShield over the ground stake followed by the washer and then slide the flag pole onto the ground stake.

FP195 Includes:

- 1" x 9' Two-piece Aluminum Flag Pole
- Fiberglass Ground Stake
- 3 nylon ties
- 1 Washer
- 1 Coroplast Ground Shield



FP195 Flag Pole Set

To Install with ground stake:

1. Start by hammering the ground stake into the ground where you want your Flag Pole to be installed. Hammer it approximately halfway into the ground. (Use gloves or a thick cloth when handling the ground stake to protect your hands. Also, use a scrap piece of wood between the stake and your hammer to protect the end of the stake from being deformed by the hammer.)

WARNING: WHEN INSTALLING THE GROUND STAKE, EXERCISE CAUTION, AVOIDING ALL ELECTRIC, WATER, AND GAS LINES!

2. Push the CoroShield over the ground stake followed by the washer and then slide the flag pole onto the ground stake.

FP195 Includes:

- 1" x 9' Two-piece Aluminum Flag Pole
- Fiberglass Ground Stake
- 3 nylon ties
- 1 Washer
- 1 Coroplast Ground Shield

