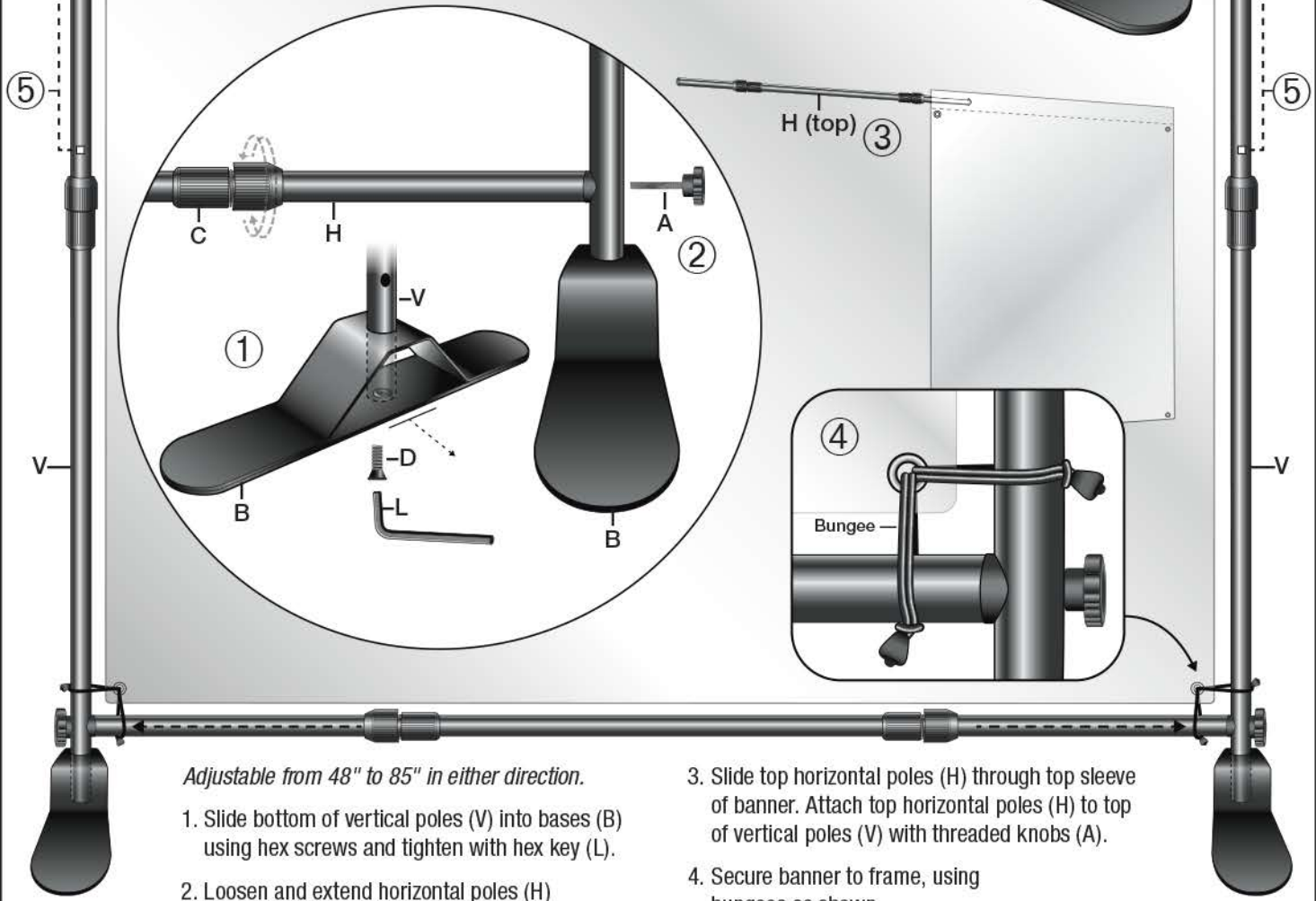
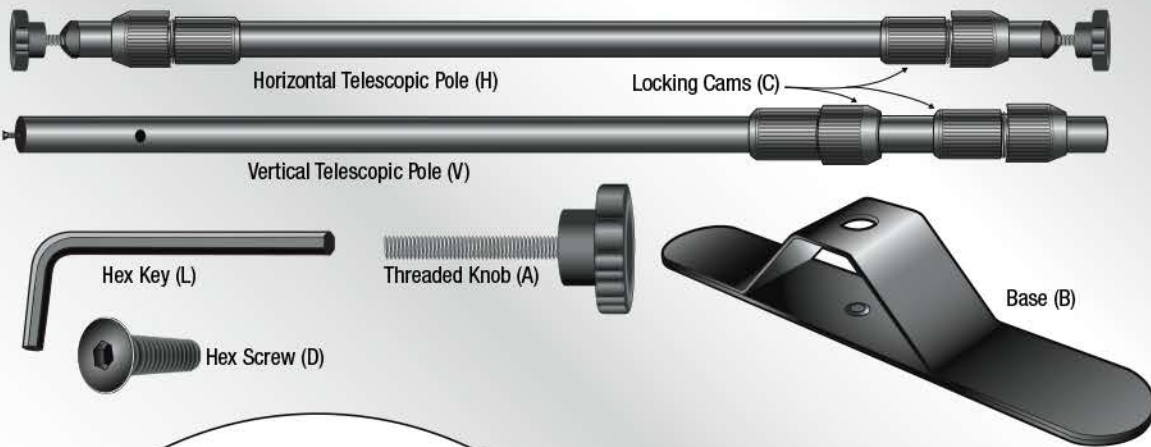


Jumbo Banner Frame

Expandable, easy to use and economical indoor display stand.
Adjustable from 48" to 85" in either direction.



Adjustable from 48" to 85" in either direction.

1. Slide bottom of vertical poles (V) into bases (B) using hex screws and tighten with hex key (L).
2. Loosen and extend horizontal poles (H) about an inch beyond the width of your banner and twist tight. Attach bottom horizontal poles (H) to bottom of vertical poles (V) with threaded knobs (A).

3. Slide top horizontal poles (H) through top sleeve of banner. Attach top horizontal poles (H) to top of vertical poles (V) with threaded knobs (A).
4. Secure banner to frame, using bungees as shown.
5. Starting with the middle sections, extend vertical poles (V) to the height of your banner and twist tight.

Do Not Over-Tighten Pole Cams.